

## RBS

Rework Bench for PCBs  
up to 13 x 13 cm / 5 x 5 in

This Plug & Play Guide corresponds to the following references:

Ref.

RBS-9A (100 V)

RBS-1A (120 V)

RBS-2A (230 V)

### Station

More Information at the  
product web page



## Packing List

The following items are included according to purchased station reference:



**Preheater Set**  
**for PCBs up to 13 x 13 cm / 5 x 5 in** ..... 1 unit  
 Ref. PHSE-9KB (100 V)  
 Ref. PHSE-1KB (120 V)  
 Ref. PHSE-2KB (230 V)

**Articulated Hand Rest**  
**for PHSEK Preheater Set** ..... 1 unit  
 Ref. RHS-A

## Installation

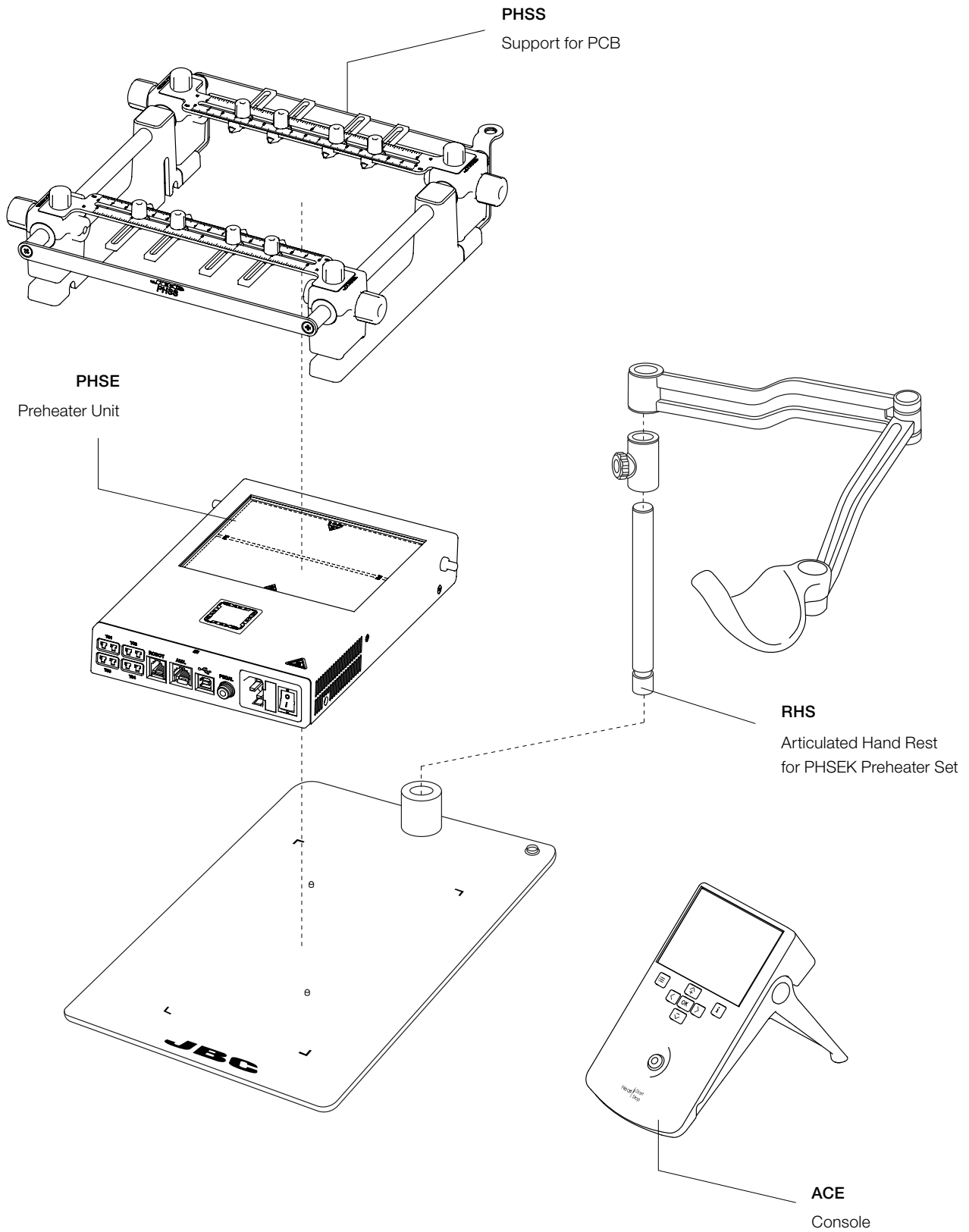
**PHSE**  
Preheater Unit

**ACE**  
Console



**Power Cord**  
Included in PHSE Preheater

**Exploded View**



## Specifications

### RBS

**Rework Bench for PCBs up to 13 x 13 cm / 5 x 5 in**

Ref. **RBS-9A**

Ref. **RBS-1A**

Ref. **RBS-2A**

- Package Dimensions / Weight: 495 x 415 x 395 mm / 14.70 kg  
(L x H x W) 19.49 x 16.34 x 15.55 in / 32.41 lb

Complies with CE standards.  
ESD safe.

# JBC

### Warranty

**Information regarding the warranty of each product can be found on the final page of its instruction manual.**



This product should not be thrown in the garbage.

In accordance with the European directive 2012/19/EU, electronic equipment at the end of its life must be collected and returned to an authorized recycling facility.