

# **JBC**

[www.jbctools.com](http://www.jbctools.com)

## **INSTRUCTION MANUAL**



### **RHTD**

Articulated Table-Mounted  
Double Hand Rest

This manual corresponds to the following reference:

RHTD-A

## Packing List

The following items are included:



**Articulated Right Hand Arm** ..... 1 unit



**Articulated Left Hand Arm** ..... 1 unit



**Flange** ..... 1 unit



**Shaft** ..... 1 unit



**Allen Key** ..... 1 unit  
*3mm - angled*



**Flange Nut** ..... 3 units  
*DIN 934 M6 zinc-plated*



**Flange Screw** ..... 3 units  
*DIN 912 M6x50 stainless steel*



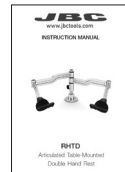
**Flange Washer** ..... 3 units  
*DIN 125 6.4 stainless steel*



**Height Adj. Flange** ..... 1 unit

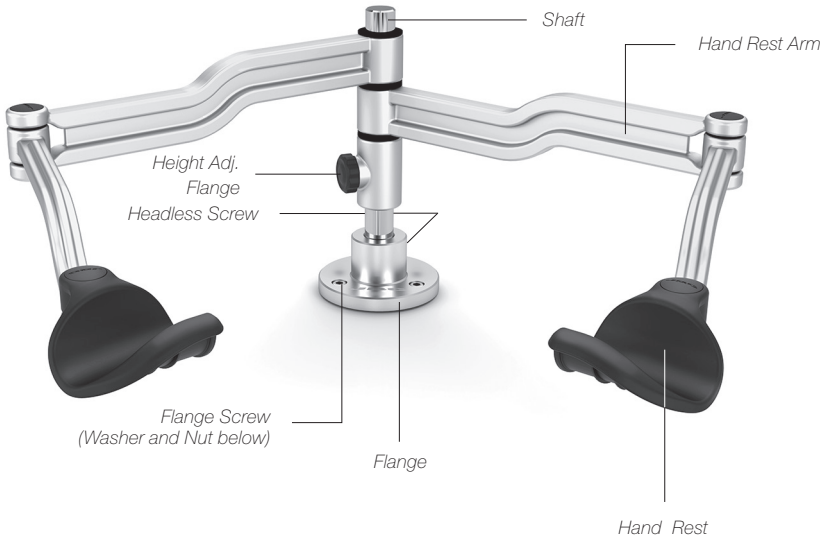


**Allen Screw** ..... 1 unit  
Ref. 0017057  
*DIN 913 M6x8 black plated*



**Manual** ..... 1 unit  
Ref. 0034775

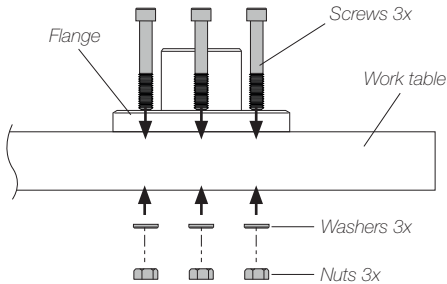
## Features



## Assembly

### Fixing the Flange

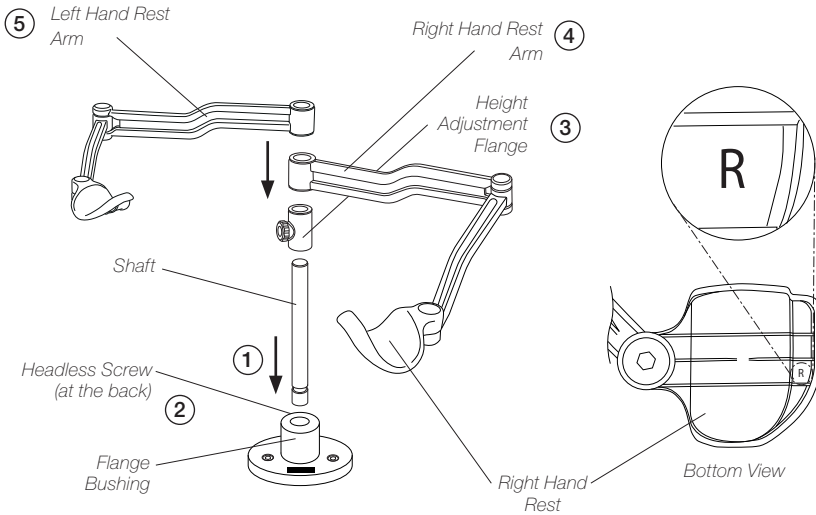
Fix the flange on your work table with the supplied screws, nuts and washers.



## Assembly

Fit the shaft into the flange bushing (1) and tighten the headless screw at the rear (2). Then, assemble first the height adjustment flange (3) and then the right hand rest arm (4) onto the shaft. Finally place the left hand rest arm on top (5).

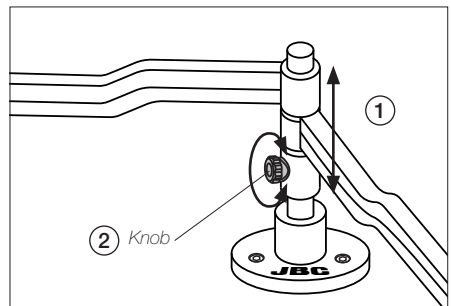
**Important:** To keep the arms at the same height, the right arm should always be placed first and the left arm on top of it. Both hand rests have a letter on their lower part indicating their position (“L” for left and “R” for right).



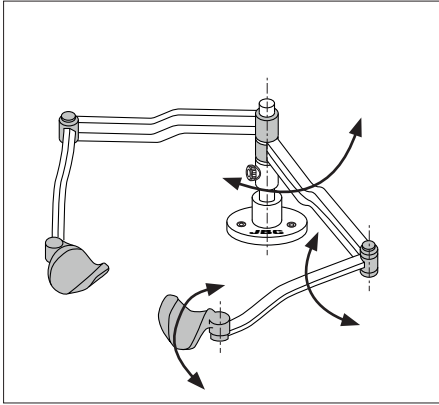
## Height Adjustment

According to your work needs, the articulated hand rest allows adjustment for different heights through the vertical axis.

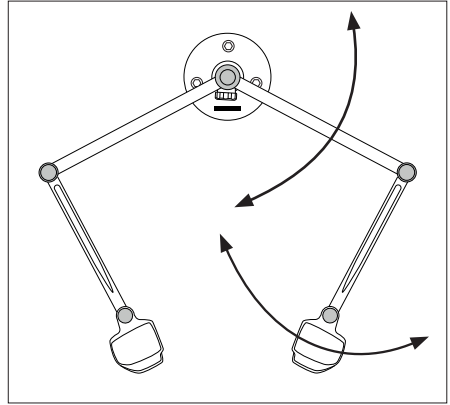
Slide the hand rest arm to the appropriate height (1) and secure it by tightening the flange knob (2) to guarantee stability.



## Work Position Adjustment



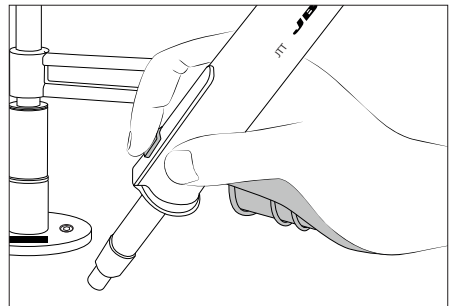
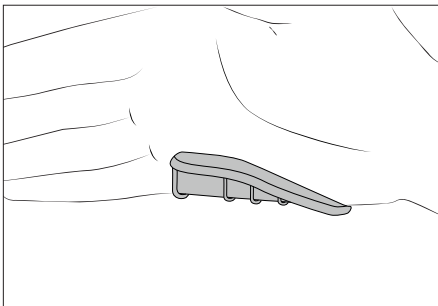
RHTD allows adjustment for different positions according to your work needs.



The articulated arm covers the entire working area.

## Hand Position

The correct position of the hands is shown in the following images:



## Workplace Example

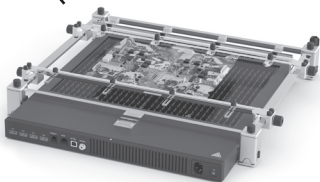
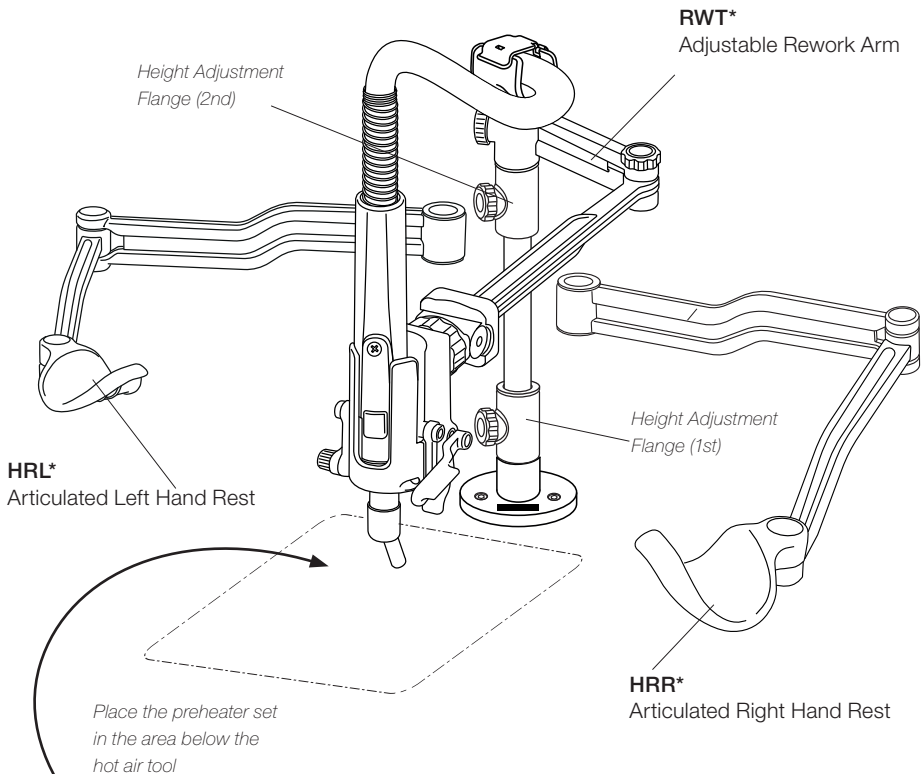
HRR and HRL can be combined with:

**RWT\*** Adjustable Rework Arm,

**RWS\*** Adjustable Rework Arm for PHSE and

**RWB\*** Adjustable Rework Arm for PHBE.

Assemble first the height adjustment flange (1), then HRR (2) and afterwards HRL (3). Assemble the second height adjustment flange (4) and finally RWT (5).



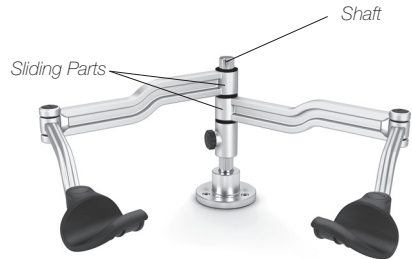
4 different sizes for PCB Supports are available:

- PHNS\* Support for PCBs up to 11x7 cm / 4x3"
- PHSS\* Support for PCBs up to 13x13 cm / 5x5"
- PHBS\* Support for PCBs up to 36x28 cm / 14x11"
- PHXLS\* Support for PCBs up to 51x61 cm / 20x24"

\* Not included, sold separately.

## Maintenance

- Check periodically that RHTD is clean, especially the sliding parts and the shaft.
- Use a damp cloth when cleaning. Alcohol can only be used to clean the metal parts.
- Replace any defective damaged parts. Use original JBC spare parts only.
- Repairs should only be performed by a JBC authorized technical service.



**Do not leave the RHTD over the preheater when it is in operation.**

## Safety



**It is imperative to follow safety guidelines to prevent electric shock, injury, fire or explosions.**

- Do not use the equipment for any purpose other than PCB rework. Incorrect use may cause a fire.
- The temperature of accessible surfaces may remain high after the unit is turned off. Handle with care.
- Be careful with the fumes produced when soldering.
- Keep your workplace clean and tidy. Wear appropriate protection glasses and gloves when working to avoid personal harm.
- Do not leave up the arms directly above heat surfaces.
- Utmost care must be taken with liquid tin waste which can cause burns.
- This appliance can be used by children over the age of eight as well as persons with reduced physical, sensory or mental capabilities or lacking experience provided that they have been given adequate supervision or instruction concerning the use of the appliance and understand the hazards involved. Children must not play with the appliance.
- Maintenance must not be carried out by children unless supervised.

# Specifications

## RHTD

### Articulated Table-Mounted Double Hand Rest

Ref. RHTD-A

- |   |   |
|---|---|
| - Height:                                     | 205 mm / 8.1 in   |
| - Arm Length:                                 | 444.5 mm / 17.5 in  |
| - Total Net Weight:                           | 2.87 kg / 6.33 lb   |
| - Package Dimensions / Weight:<br>(L x W x H) | 474 x 368 x 195 mm / 3.68 kg<br>18.66 x 14.49 x 7.68 in / 8.12 lb |

Complies with CE standards.  
ESD Safe.

# JBC

## Warranty

JBC's 2 year warranty covers this equipment against all manufacturing defects, including the replacement of defective parts and labor.

Warranty does not cover product wear or misuse.

In order for the warranty to be valid, equipment must be returned, postage paid, to the dealer where it was purchased.



This product should not be thrown in the garbage.

In accordance with the European directive 2012/19/EU, electronic equipment at the end of its life must be collected and returned to an authorized recycling facility.



[www.jbctools.com](http://www.jbctools.com)

0034775-071024