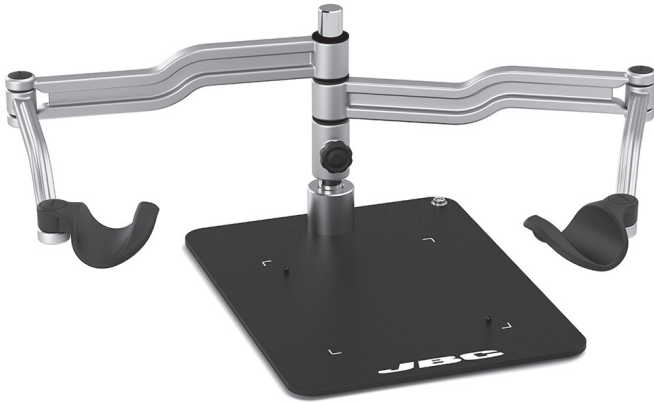


# **JBC**

[www.jbctools.com](http://www.jbctools.com)

## **INSTRUCTION MANUAL**



## **RHND**

Articulated Double Hand Rest  
for PHNEK Preheater Set

This manual corresponds to the following reference:

**RHND-A**

## Packing List

The following items are included:



**Articulated Right Hand Rest Arm** ..... 1 unit  
Ref. HRR-A



**Articulated Left Hand Rest Arm** ..... 1 unit  
Ref. HRL-A



**Height Adj. Flange** ..... 1 unit  
Ref. 0023991



**Shaft** ..... 1 unit



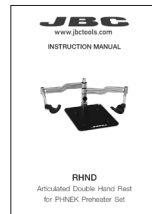
**PHNE Compatible Base** ..... 1 unit



**Headless Screw** ..... 1 unit  
Ref. 0017057

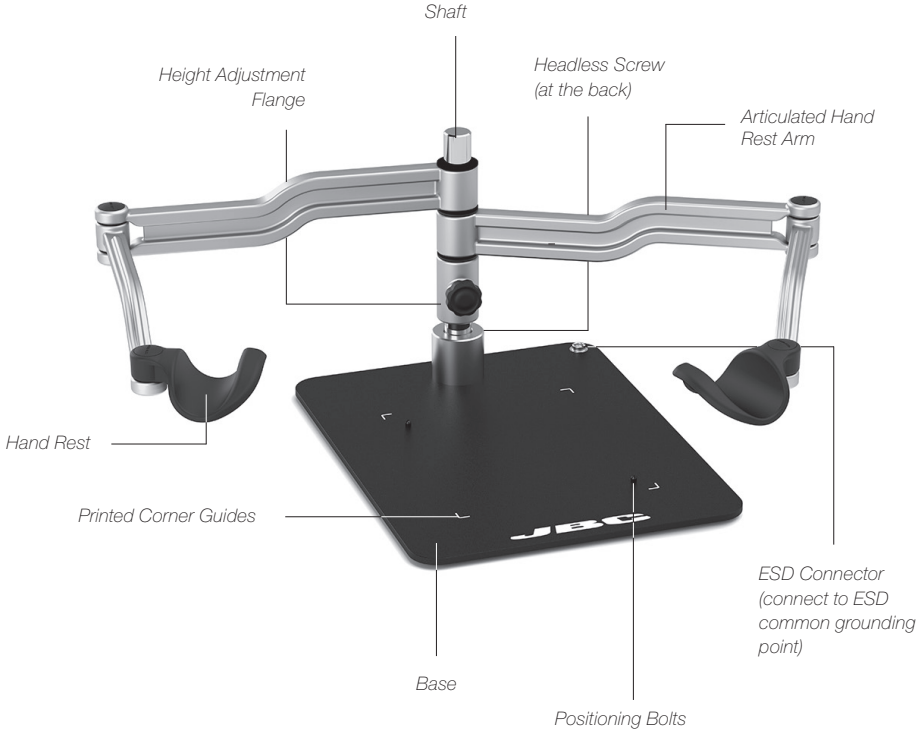


**Allen Key** ..... 1 unit  
Ref. 0034684



**Manual** ..... 1 unit  
Ref. 0034762

**Features**



# Assembly

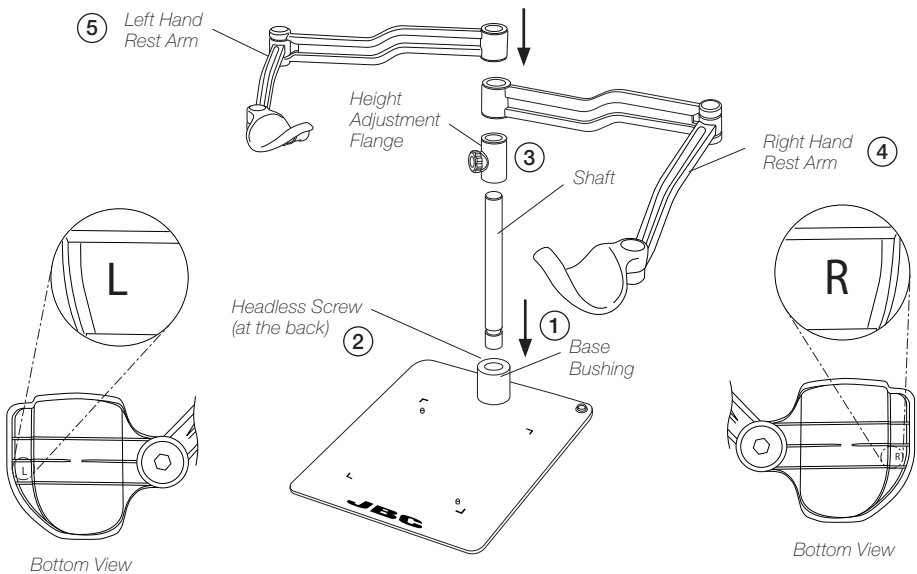
## Setting Up the Hand Rest Arms

Fit the shaft into the base bushing (1) and tighten the headless screw (2). Then assemble first the height adjustment flange (3) and finally the hand rest arm (4) onto the shaft.

The hand rest arm position should be as shown in the image. The right hand rest is marked at its bottom side with the letter "R".

Once the right hand rest arm is in place, insert the left one (5) onto the shaft on top of it. The left hand rest is marked at its bottom side with the letter "L".

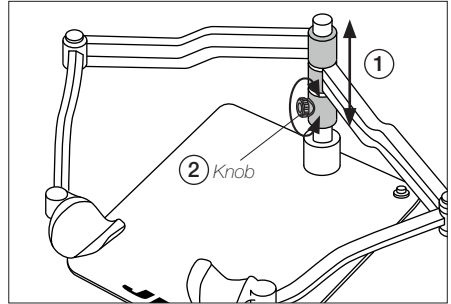
To keep the hand supports at the same level, the right hand rest should always be assembled under the left one.



## Height Adjustment

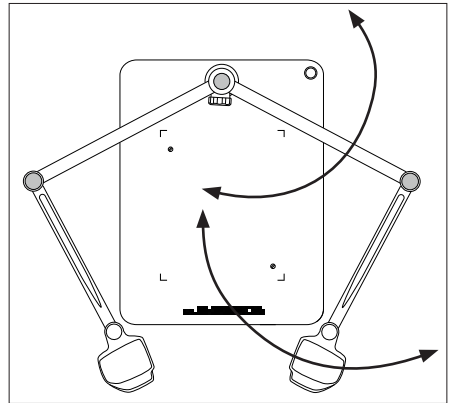
According to your work needs the hand rest arms allow adjustment for different heights through the vertical axis.

Slide the arms to the appropriate height (1) and secure them by tightening the knob (2) to guarantee stability.



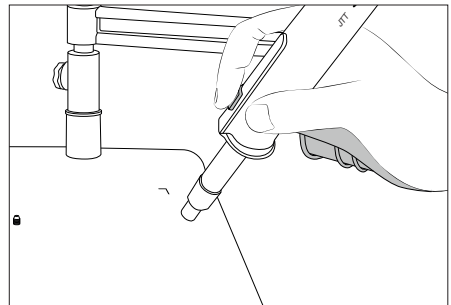
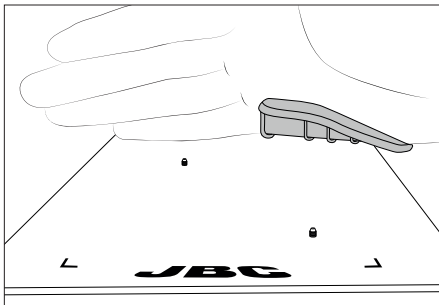
## Work Position Adjustment

RHND arms allow adjustment for different positions according to your work needs. The articulated arms cover all work areas.



*Position the arm and tighten the knobs.*

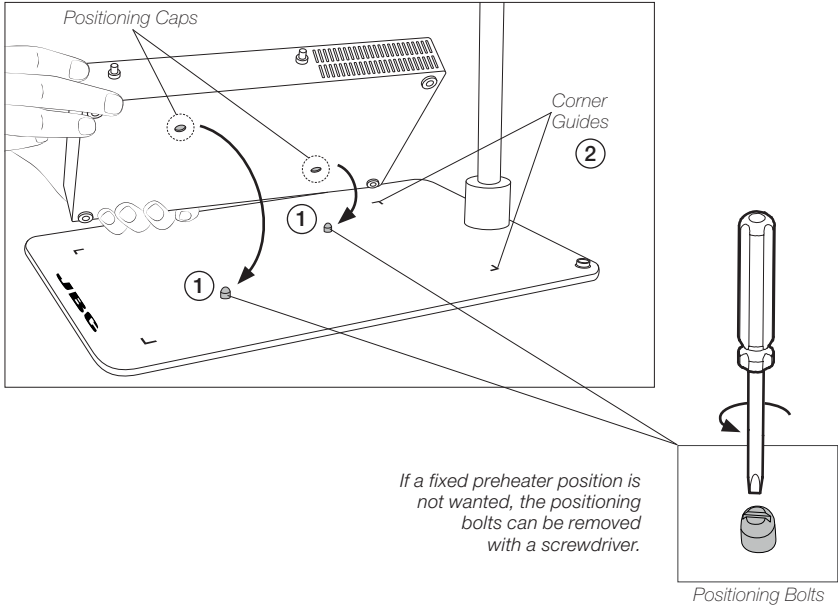
The correct hand position is shown in the following images:



# Preheater Positioning

RHND has been designed to work together with PHN.

Fit PHNE onto the positioning bolts (1) for proper alignment. The four corner guides (2) help to place the heater unit in its position.



**Note:** For each preheater size, there are different articulated hand rests with different base dimensions available.

Preheater	Articulated Hand Rest	Base Dimension
PHNE	RHND	310 x 239 mm / 12.20 x 9.41 in
PHSE	RHSD	400 x 270 mm / 15.75 x 10.63 in
PHBE	RHBD	550 x 480 mm / 21.65 x 18.90 in

## Workplace Example

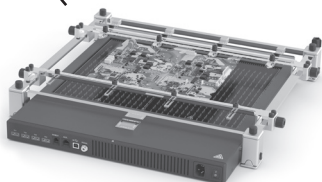
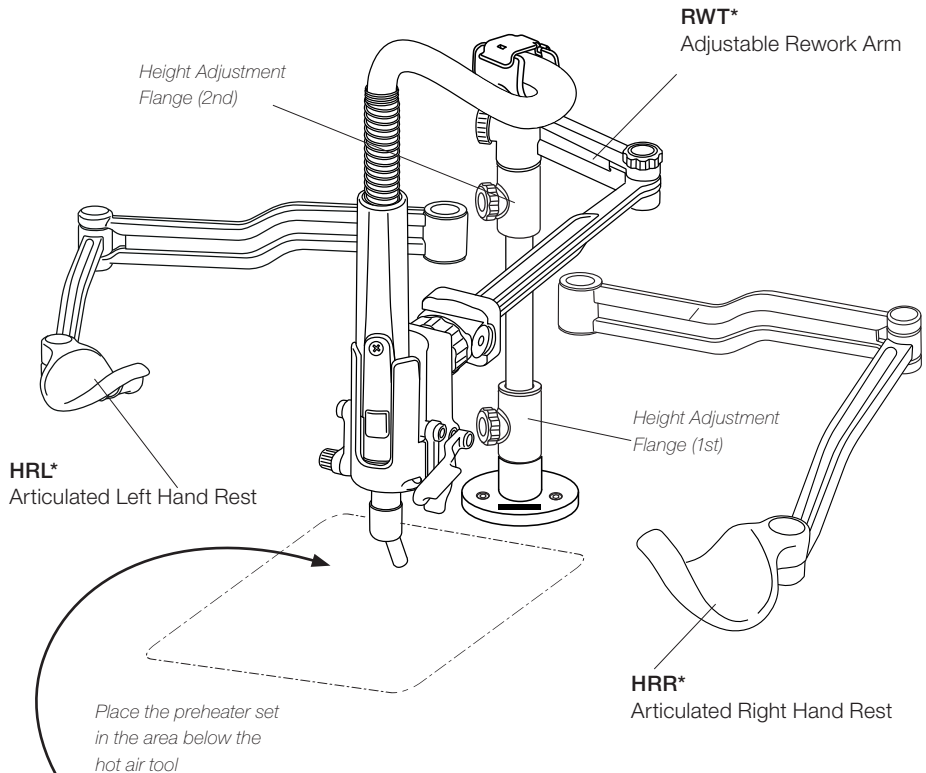
HRR and HRL can be combined with:

**RWT\*** Adjustable Rework Arm,

**RWS\*** Adjustable Rework Arm for PHSE and

**RWB\*** Adjustable Rework Arm for PHBE.

Assemble first the height adjustment flange (1), then HRR (2) and afterwards HRL (3). Assemble the second height adjustment flange (4) and finally RWT (5).



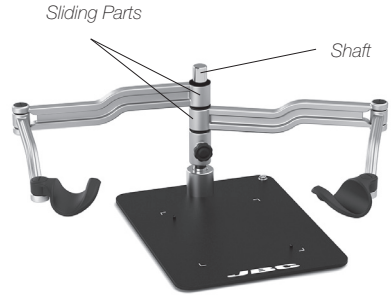
4 different sizes for PCB Supports are available:


- PHNS\* Support for PCBs up to 11x7 cm / 4x3"
- PHSS\* Support for PCBs up to 13x13 cm / 5x5"
- PHBS\* Support for PCBs up to 36x28 cm / 14x11"
- PHXLS\* Support for PCBs up to 51x61 cm / 20x24"

\* Not included, sold separately.


# Maintenance

- Check periodically that RHND is clean, especially the sliding parts and the shaft.
- Use a damp cloth when cleaning. Alcohol can only be used to clean the metal parts.
- Replace any defective damaged parts. Use original JBC spare parts only.



 **Do not leave the arms over the preheater when it is functioning.**

# Safety

 **It is imperative to follow safety guidelines to prevent electric shock, injury, fire or explosions.**

- Do not use the equipment for any purpose other than PCB rework.
- The temperature of accessible surfaces may remain high after the unit is turned off. Handle with care.
- Be careful with the fumes produced when soldering.
- Keep your workplace clean and tidy. Wear appropriate protection glasses and gloves when working to avoid personal harm.
- Do not leave up the arms directly above heat surfaces.
- Utmost care must be taken with liquid tin waste which can cause burns.
- This appliance can be used by children over the age of eight as well as persons with reduced physical, sensory or mental capabilities or lacking experience provided that they have been given adequate supervision or instruction concerning the use of the appliance and understand the hazards involved. Children must not play with the appliance.
- Maintenance must not be carried out by children unless supervised.









# Specifications

## RHND

### Articulated Double Hand Rest for PHNEK Preheater Set

Ref.: RHND-A

- |   |  |
|---|--|
| - Base Dimensions:                            | 310 x 239 mm / 12.20 x 9.41 in                                     |
| - Total Height:                               | 205 mm / 8.07 in   |
| - Arm Height:                                 | 200 mm / 7.87 in   |
| - Arm Length:                                 | 498 mm / 19.61 in  |
| - ESD Connector                               |  |
| <br>  |  |
| - Total Net Weight:                           | 5.56 kg / 12.26 lb   |
| - Package Dimensions / Weight:<br>(L x W x H) | 370 x 204 x 370 mm / 7.15 kg<br>14.57 x 8.03 x 14.57 in / 15.75 lb |

Complies with CE standards.  
ESD Safe.

# JBC

## Warranty

JBC's 2 year warranty covers this equipment against all manufacturing defects, including the replacement of defective parts and labor.

Warranty does not cover product wear or misuse.

In order for the warranty to be valid, equipment must be returned, postage paid, to the dealer where it was purchased.



This product should not be thrown in the garbage.

In accordance with the European directive 2012/19/EU, electronic equipment at the end of its life must be collected and returned to an authorized recycling facility.

