

# DMSE

2-Tool Rework Station

Ref.: **DMSE-9QC** 100V

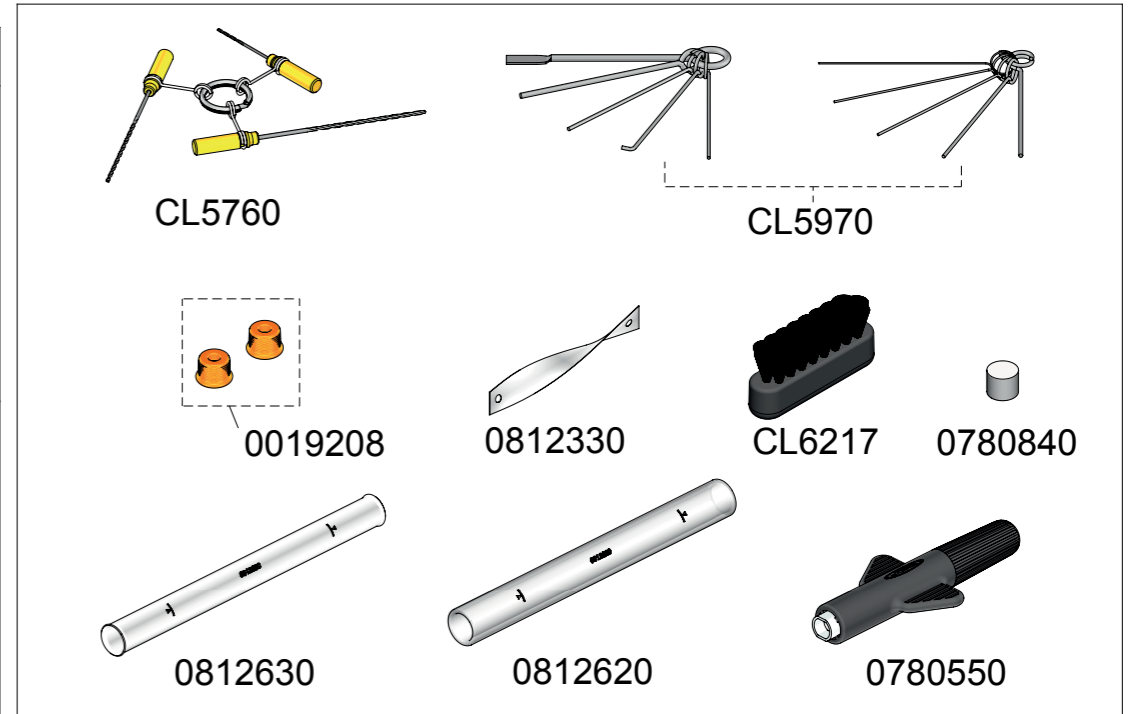
**DMSE-1QC** 120V

**DMSE-2QC** 230V

DME CONTROL UNIT



SPARE PARTS	
<b>DME CONTROL UNIT</b>	
-CIRCUIT	0030802
-ENCLOSURE	
· TOP	0019028
· BOTTOM	0014567
· FRONT+DISPLAY	0029287
· BACK	0031497
<b>MSE-B:</b>	
- CIRCUIT	0034194
- ENCLOSURE	
· TOP	0032092
· BOTTOM	0032089
· FRONT	0032096
· BACK	0032091
- PUMP	0031985
- AC ADAPTER	0033723



Ref.: **DMSE-9QC** 100V FUSE T-8A  
**DMSE-1QC** 120V FUSE T-3,5A  
**DMSE-2QC** 230V FUSE T-3,15A

