

# **JBC**

[www.jbctools.com](http://www.jbctools.com)

## **INSTRUCTION MANUAL**



## **Soldering Iron for Automation**

Ref. TR470-A

# Packing List

The following items are included:

**Soldering Iron** ..... 1 unit  
Ref. TR470-A  
*Works with  
R470 Cartridges*



**Clamp** ..... 1 unit  
Ref. 0018779



**Insulator** ..... 1 unit  
Ref. 0020440



**Screws**  
**DIN 912 M3X10**..... 2 units  
Ref. 0722900



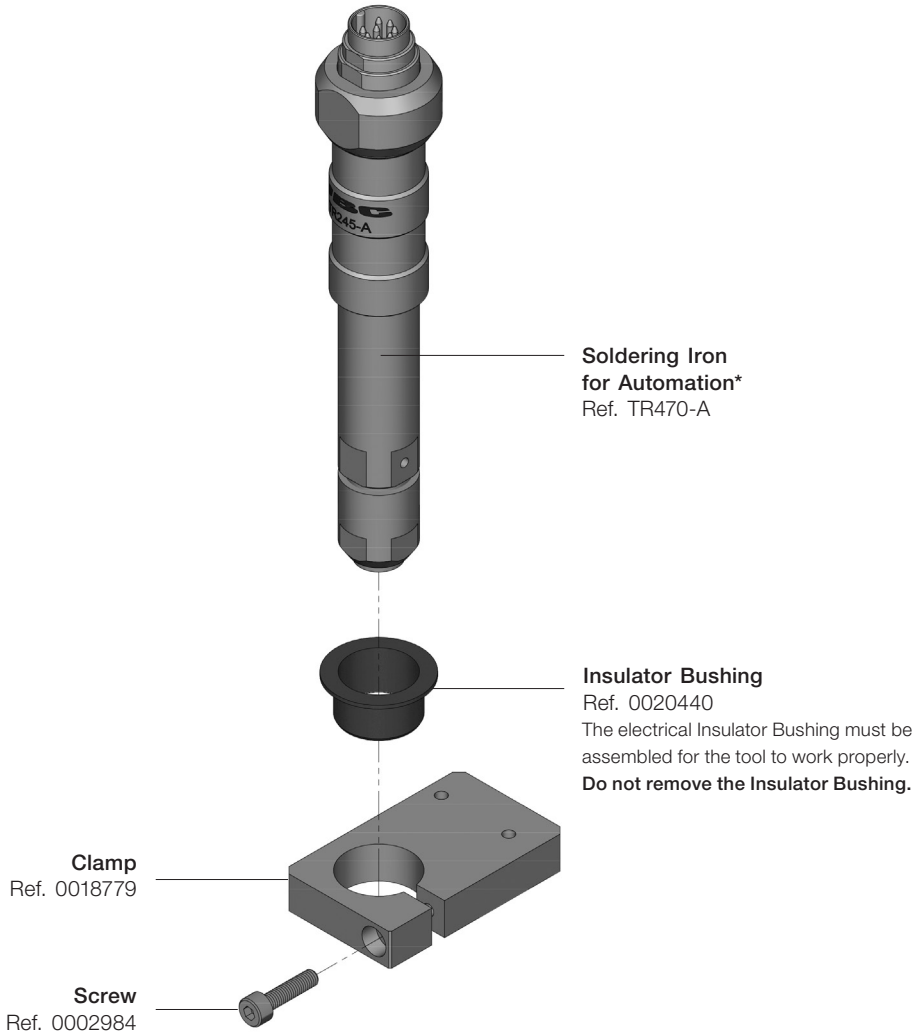
**Screw**  
**DIN 912 M4X16**..... 2 units  
Ref. 0002984



**Manual** ..... 1 unit  
Ref. 0020951

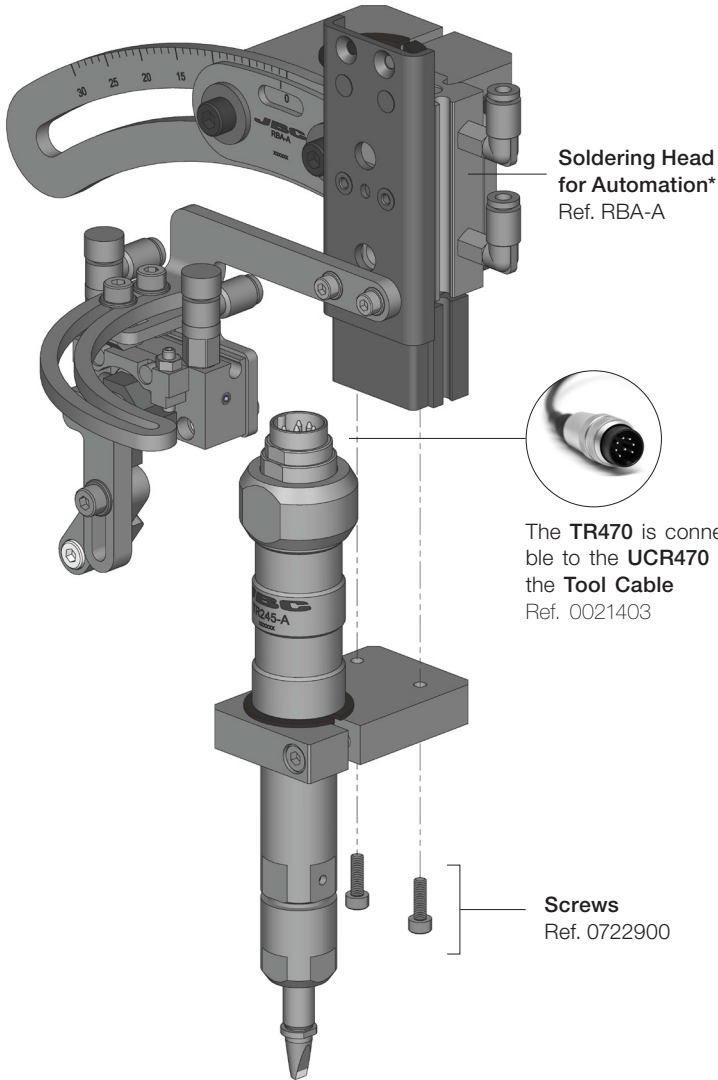


## Assembly



\* If the Soldering Iron is fixed in another way, it must be isolated from the fixation.

# Assembly with RBA-A



\* Not included, sold separately

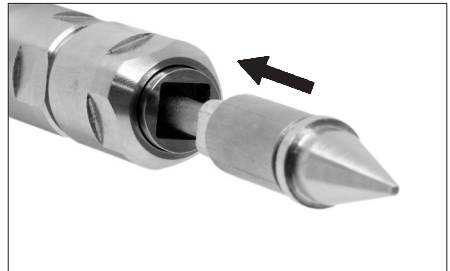
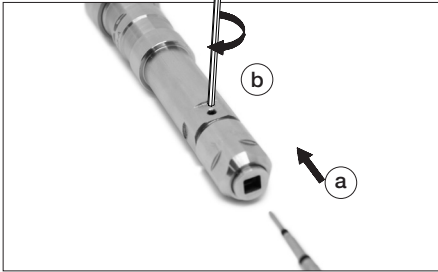
## Inserting and removing Cartridges



For any hand operation make sure the power is off and both tool and cartridge are cold. Before removing or inserting the cartridge, make sure air pressure is off.

Insert the cartridge and press lightly until it is placed in the Soldering Iron for Automation (a). Use an allen key to tighten the Cartridge in the Handle (b).

The square recess of the Soldering Iron for Automation must be matched with the square shape of the Cartridge. Insert the Cartridge until the two square shapes come to a limit stop inside.



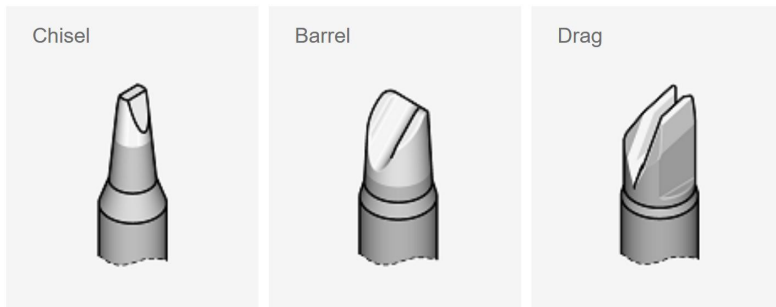
## Compatibility

	Cartridge Range	Control Unit
TR2470	R470	UCR470

RBA, SFR, GSFR and CLMR are compatible with both R245 and R470 ranges.

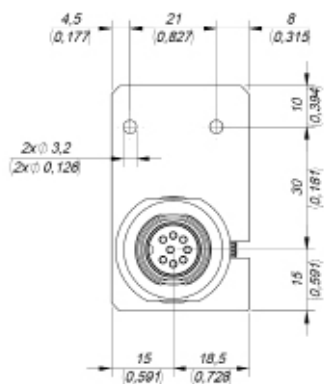
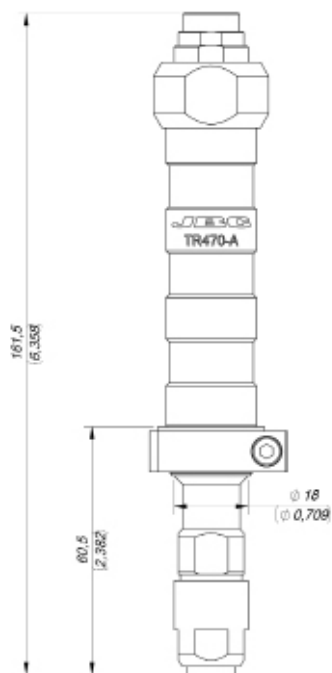
## Cartridge range

Find the cartridge models that best suits your soldering needs in [www.jbctools.com](http://www.jbctools.com)



# Dimensions

## TR470-A



$\frac{mm}{(in)}$

## Maintenance

- Before carrying out maintenance, always unplug the tool.
- Use a damp cloth to clean the tool. Alcohol can only be used to clean the metal parts.
- Periodically check that the metal parts of the tool are clean so the station can detect the tool status.
- Maintain tip surface clean and tinned prior to storage in order to avoid tip oxidation. Rusty and dirty surfaces reduce heat transfer to the solder joint.
- Replace any defective or damaged parts. Use original JBC spare parts only.
- Repairs should only be performed by a JBC authorized technical service.

## Safety



**It is imperative to follow safety guidelines to prevent electric shock, injury, fire or explosion.**

- Do not use the soldering iron for any purpose other than soldering or rework. Incorrect use may cause fire.
- The temperature of accessible surfaces may remain high after the unit is turned off. Handle with care.
- Do not leave the appliance unattended when it is on.
- Be sure that the power supply is disconnected before changing any spare part.
- Allow cartridges to cool down before changing them.
- Heat can cause inflammable products to ignite even when not visible.
- Avoid flux coming into contact with skin or eyes to prevent irritation.
- Be careful with the fumes produced when soldering.
- Keep your workplace clean and tidy. Wear appropriate protective glasses and gloves when working to avoid personal injury.
- Utmost care must be taken with liquid tin waste which can cause burns.

# Specifications

## TR470-A

- Net Weight: 236 g (0.52 lb)
- Dimensions: 161.5 x 28 mm (6.36 x 1.10 in)

## Clamp only

- Net Weight: 44 gr (0.10 lb)
- Dimensions: 55 x 33.5 x 10 mm (2.16x 13.18 x 0.39 in)

Complies with CE standards.

ESD protected.

# JBC

## Warranty

JBC's 2 year warranty covers this equipment against all manufacturing defects, including the replacement of defective parts and labour.

Warranty does not cover product wear or misuse.

In order for the warranty to be valid, equipment must be returned, postage paid, to the dealer where it was purchased.



This product should not be thrown in the garbage.

In accordance with the European directive 2012/19/EU, electronic equipment at the end of its life must be collected and returned to an authorized recycling facility.



[www.jbctools.com](http://www.jbctools.com)