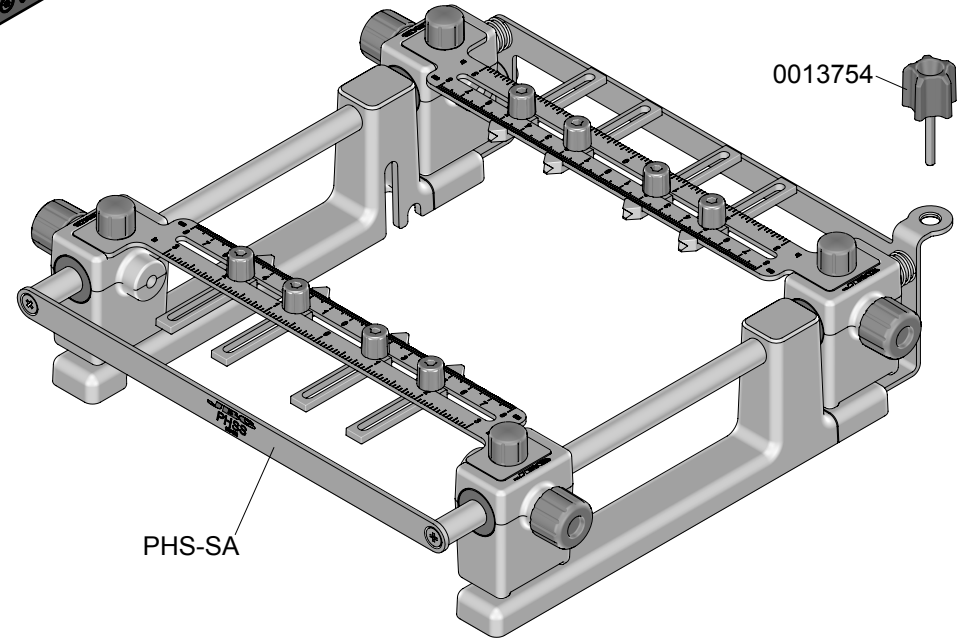
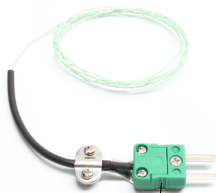
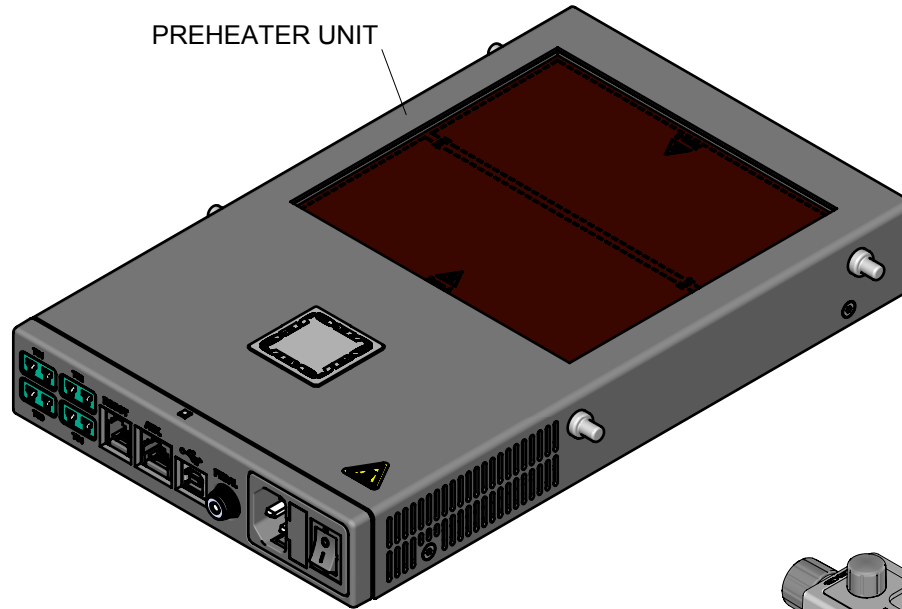


# PHSEK

Preheater Set for PCBs up to 13 x 13 cm / 5 x 5"

- Ref.: **PHSE-9KB** 100V
- PHSE-1KB** 120V
- PHSE-2KB** 230V



## SPARE PARTS

### PREHEATER UNIT:

-CIRCUIT (100V):	0027036
-CIRCUIT (120V):	0027037
-CIRCUIT (230V):	0027038

- Ref.: **PHSE-9KB** 100V FUSE T-8A
- Ref.: **PHSE-1KB** 120V FUSE T-8A
- Ref.: **PHSE-2KB** 230V FUSE T-4A