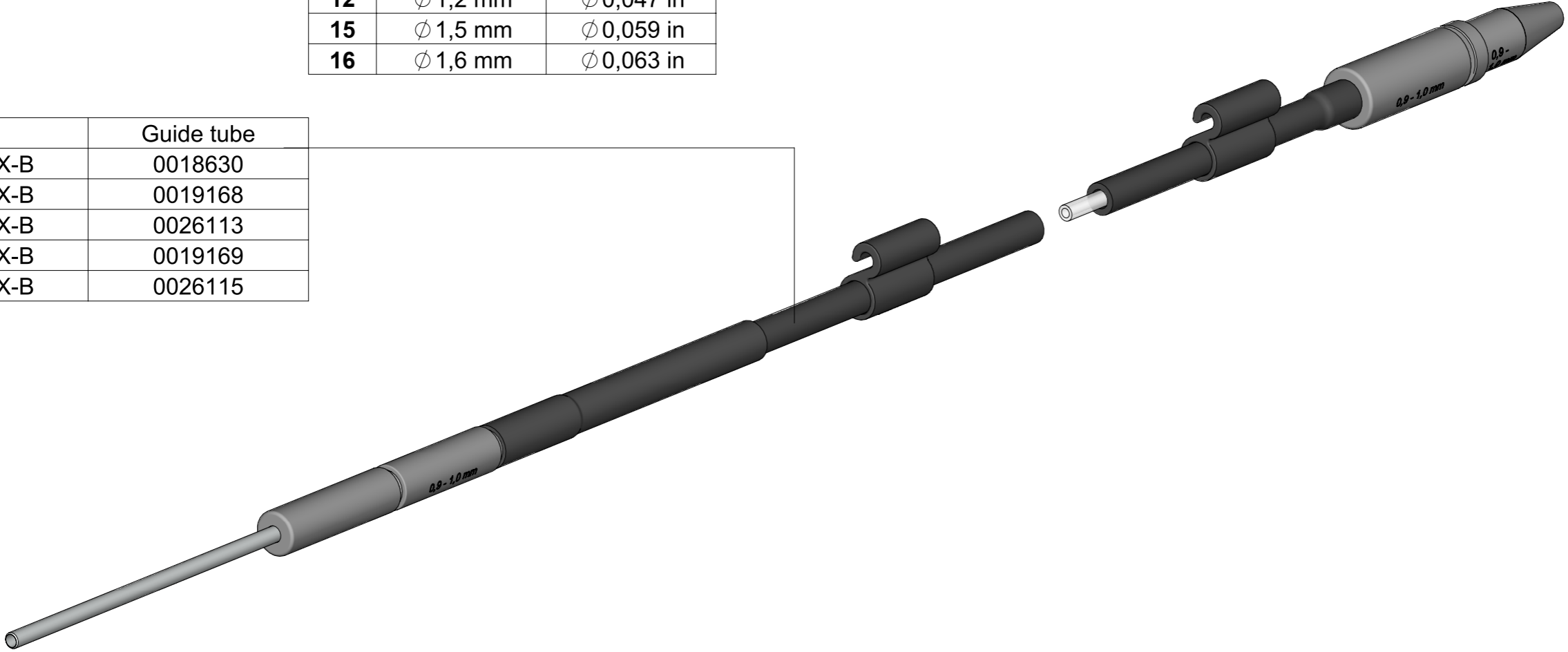


GSFXXV-B WITH SOLDER WIRE PERFORATION

Wire diameter		
XX	Diameter of use	
08	∅ 0,8 mm	∅ 0,032 in
10	∅ 1,0 mm	∅ 0,040 in
12	∅ 1,2 mm	∅ 0,047 in
15	∅ 1,5 mm	∅ 0,059 in
16	∅ 1,6 mm	∅ 0,063 in

	Guide tube
GSF08X-B	0018630
GSF10X-B	0019168
GSF12X-B	0026113
GSF15X-B	0019169
GSF16X-B	0026115



	Outlet nozzle	Guide wheel	Blade	Blade clamp	Inlet nozzle	Intern. nozzle	Counter wheel	Screws	Threaded stud
GSF08V-B	0025270	0021696	0021555	0018638	0018632	0024955	0026693 (Supplied with SF)	0026695 (x2)	0026696 (x3)
GSF10V-B	0021560	0021699			0019170	0024956			
GSF12V-B	0025272	0023738			0019171	0024957			
GSF15V-B	0025274	0025285			0024958	0026694			
GSF16V-B	0025276	0025922			0024233		0024959		