

CP

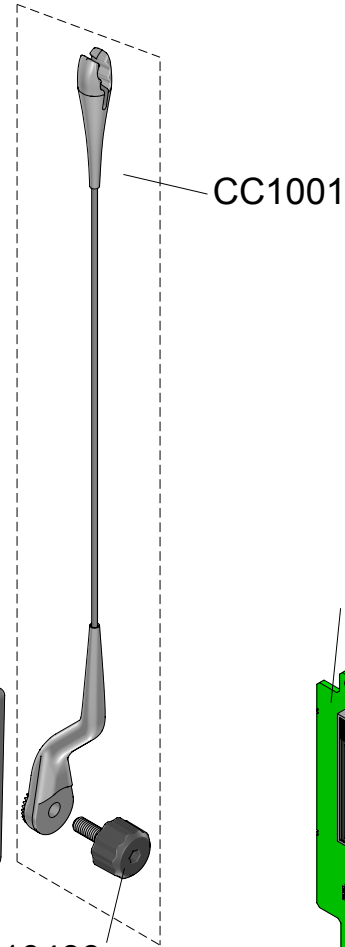
Precision Rework Station

Ref.: **CP-9QF** 100V
CP-1QF 120V
CP-2QF 230V

SPARE PARTS	
CONTROL UNIT:	
-CIRCUIT	0028075
-ENCLOSURE	0023639
-TOOL HOLDER	0014719
-SPLASHGUARD	0028379
- ANTISPLASH RUBBER	CL7882

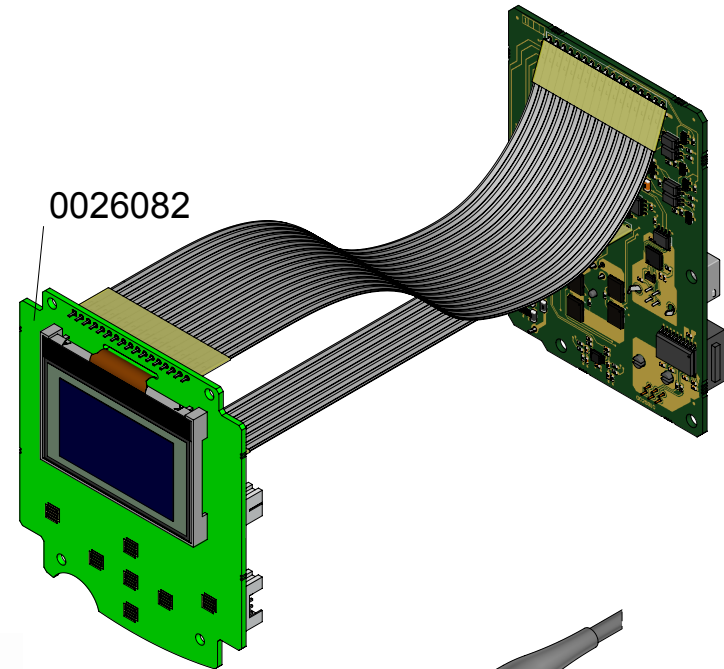
Ref.: **CP-9QF** 100V FUSE T-2A
Ref.: **CP-1QF** 120V FUSE T-2A
Ref.: **CP-2QF** 230V FUSE T-1A

CONTROL UNIT

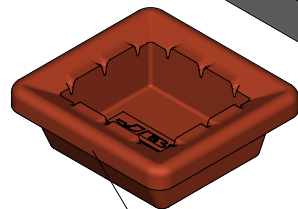


CC1001

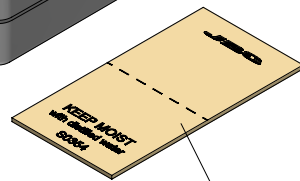
0010433



0026082



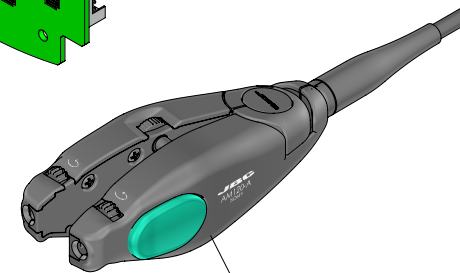
CL7984



S0354



CL6210



AM120-A