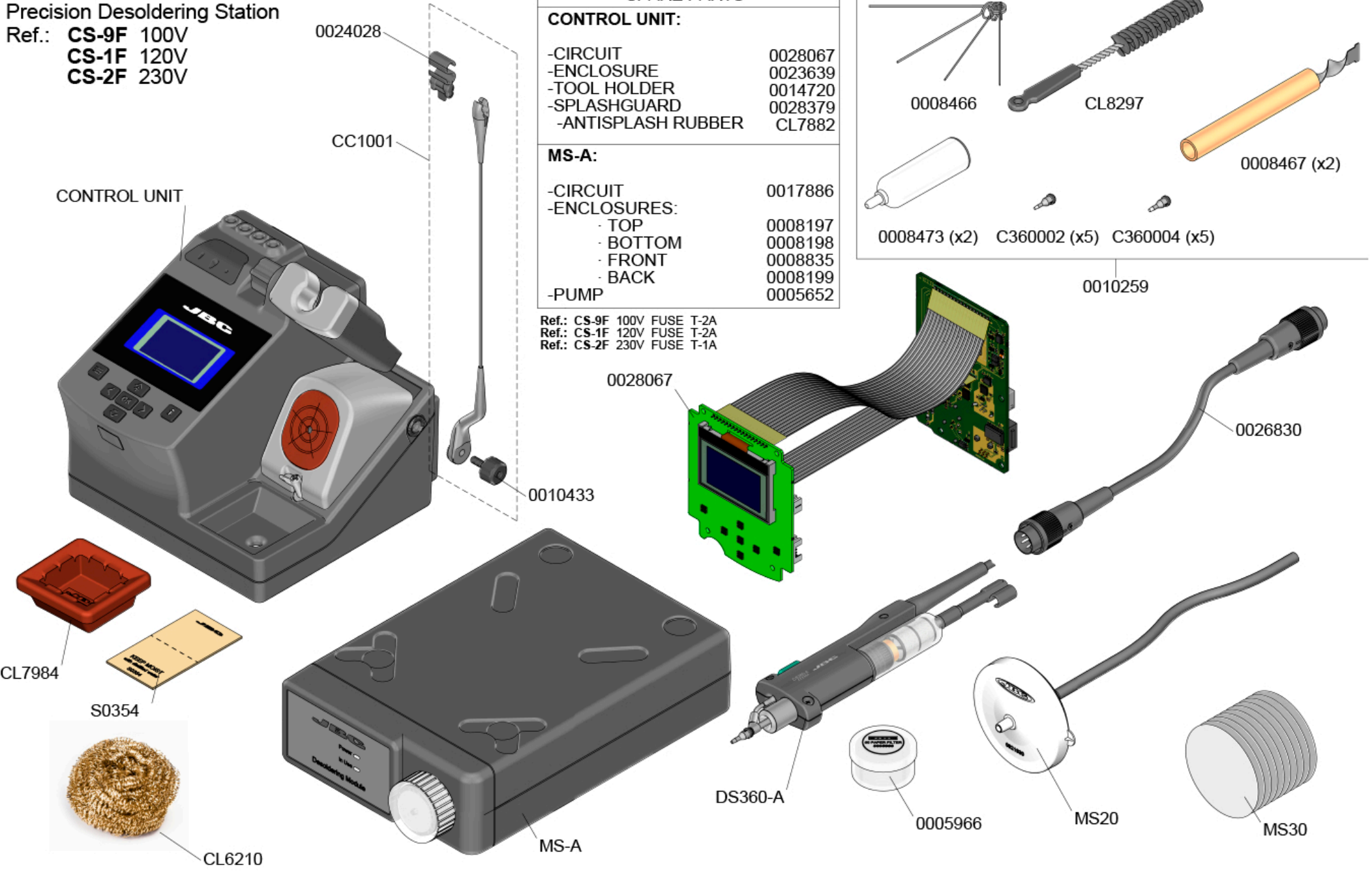
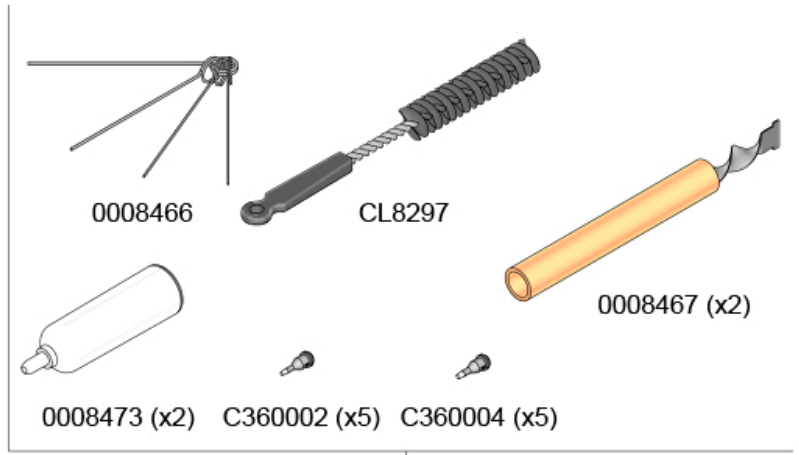


CS
Precision Desoldering Station

Ref.: **CS-9F** 100V
CS-1F 120V
CS-2F 230V

SPARE PARTS	
CONTROL UNIT:	
-CIRCUIT	0028067
-ENCLOSURE	0023639
-TOOL HOLDER	0014720
-SPLASHGUARD	0028379
-ANTISPLASH RUBBER	CL7882
MS-A:	
-CIRCUIT	0017886
-ENCLOSURES:	
- TOP	0008197
- BOTTOM	0008198
- FRONT	0008835
- BACK	0008199
-PUMP	0005652

Ref.: CS-9F 100V FUSE T-2A
Ref.: CS-1F 120V FUSE T-2A
Ref.: CS-2F 230V FUSE T-1A



CONTROL UNIT

0024028

CC1001

0028067

0010433

CL7984

S0354

CL6210

MS-A

DS360-A

0005966

MS20

MS30

0026830

0010259

0008467 (x2)

0008473 (x2)

C360002 (x5)

C360004 (x5)